

Variety of chain type suitable for wide range of applications either horizontal or vertically product transportation. Capacity higher than FK and FS. The maximum product width to be conveyed can be referred to guide rail assembly pages.

FM Series Characteristic

Beam Width: 85mm

Product Width: Refer to Guide Rail Assembly

Accessories Needed

Slide Rail Required: FASR-25 OR FASR-25U

Slide Rail Colour: WHITE OR NATURAL COLOUR

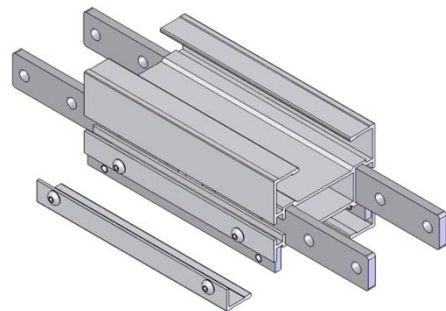
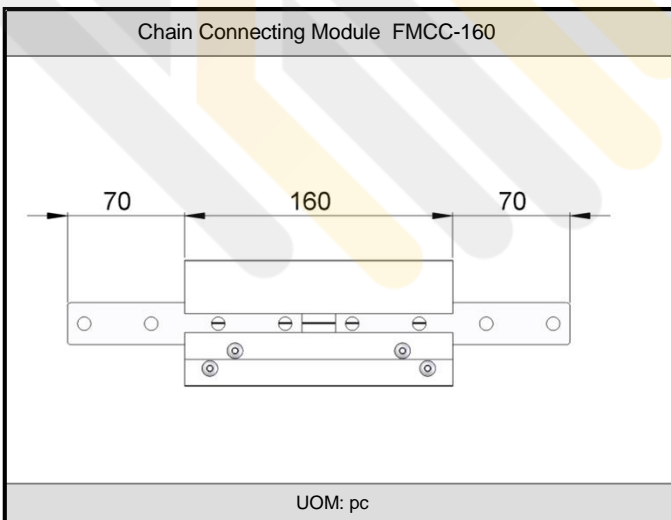
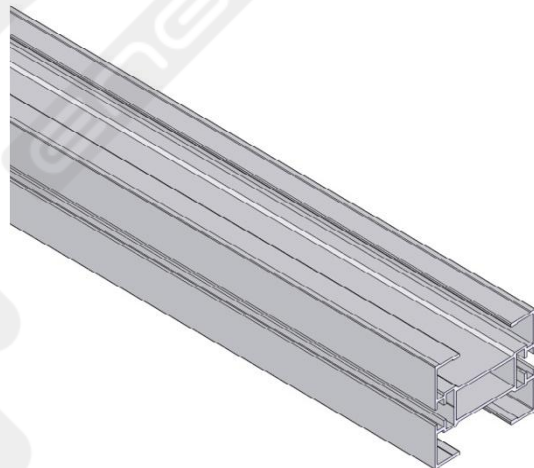
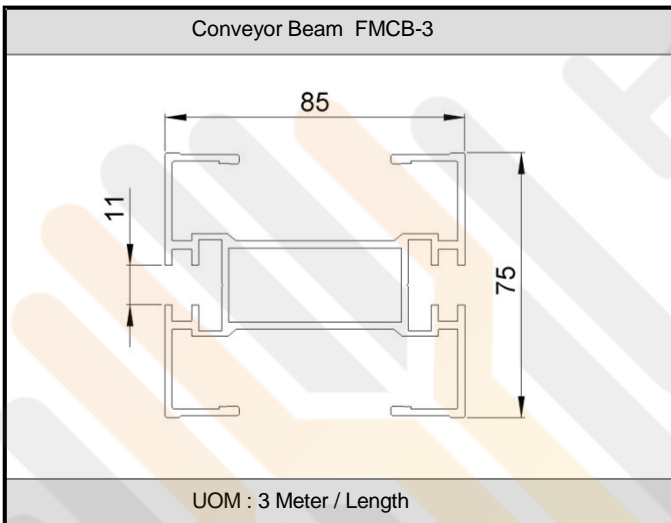
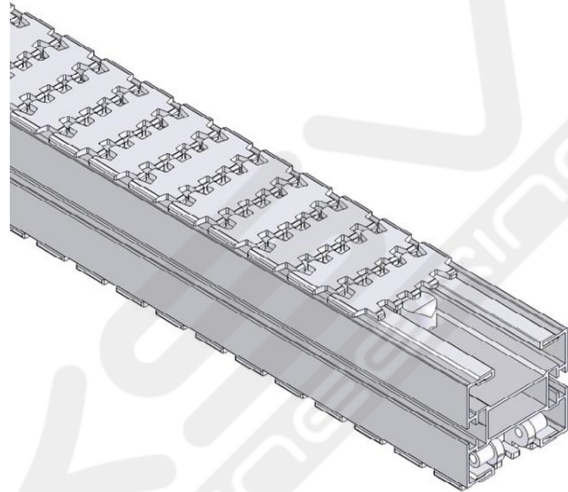
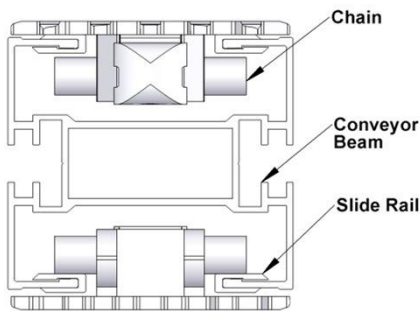
Slide Rail Material: HDPE OR UHMW

Slide Rail Rivet and Screw: FASLR-4X6 or FASLS-M5

Connecting strip is used to connect 2 beams.

Connecting Strip: FACS-25x140A

FM



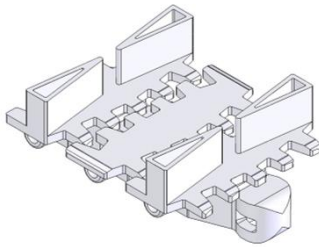
Chain Common Data

Packaging: 5m per box
Pitch: 33.5mm
Width: 83mm
Tensile Strength at 20°C: 6000N
Colour: White & Black (Conductive)

Material:-
Chain: White Acetal / POM
Pivot: Polyamide
Pivot Pin : Stainless Steel
Insert (Wedge and Friction): TPE Grey

Example for FMCT-5A17-L#

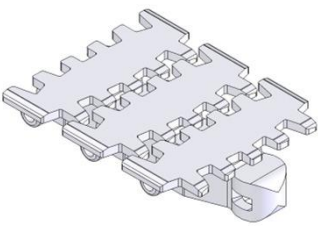
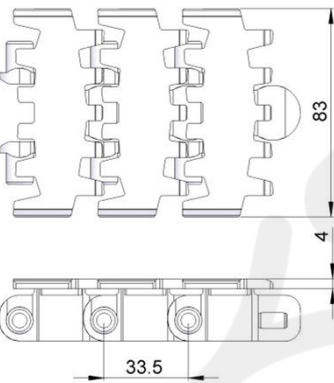
= 1 cleated top chain with alternate of # link of plain chain



The above chain is FMCT-5A17-L1, 1 link cleated top chain with alternate of 1 link of plain chain.

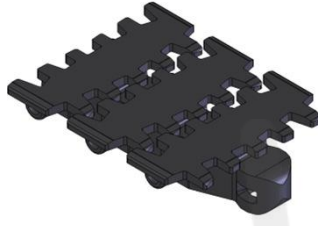
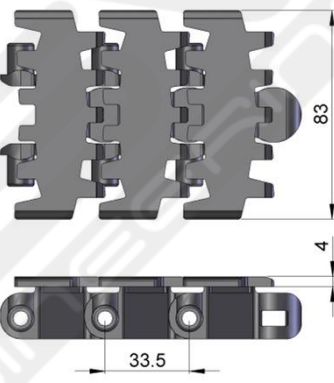
Note: # = 1, 2, 3, 4, 5.....20

Standard Plain Chain FMPC-5

UOM: 5 Meter / box
Application: Suitable for horizontal and slope < 5° transport of products with accumulation.

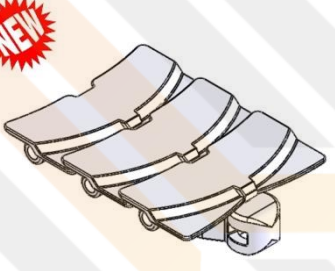
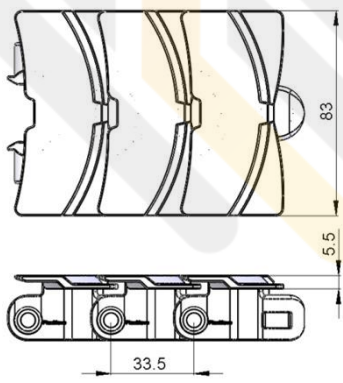
Conductive Chain FMPC-5CD

UOM: 5 Meter / box
Application: Suitable for transport of static sensitive product.


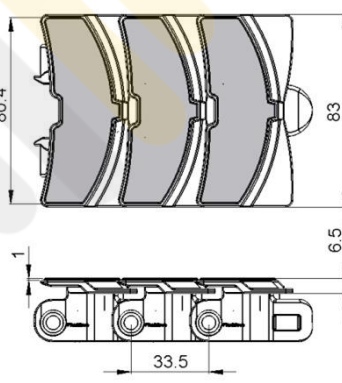
FM

Safety Chain EM83PC-5

UOM: 5 Meter / box
Application: (Safety Chain) Suitable for horizontal and slope < 5° transport of products with accumulation.

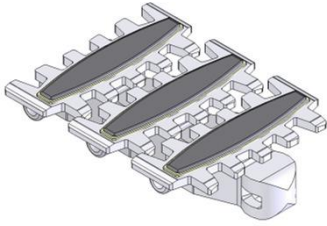
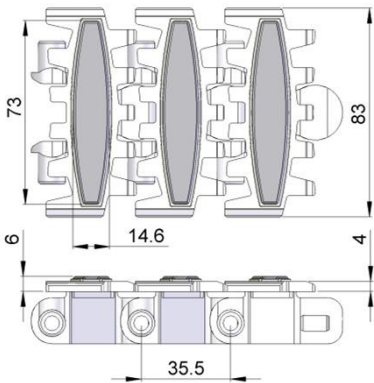
Safety Chain Friction Top EM83FT-5

UOM: 5 Meter / box
Application: (Safety Chain) Suitable for transport product in slope > 5° but <= 30° without accumulation.

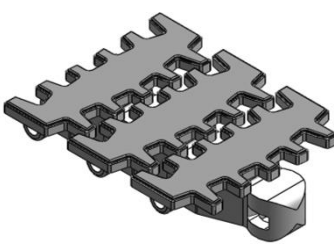
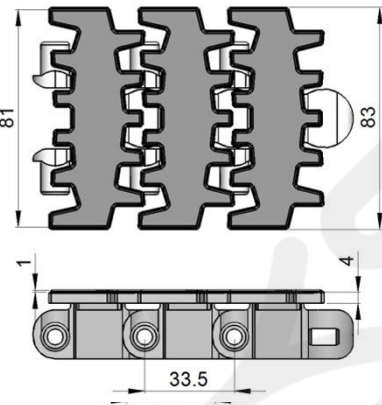
FM

Friction Top Chain FMFT-5

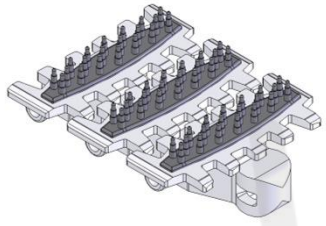
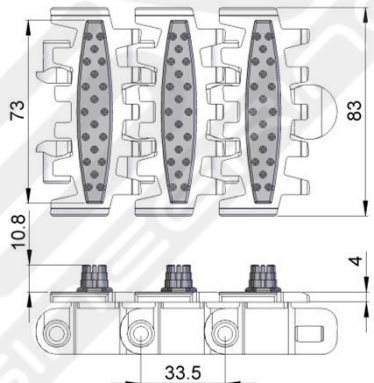
UOM: 5 Meter / box
Application: Suitable for transport product in slope > 5° but ≤ 30° without accumulation.

Friction Top Chain FMFT-5A

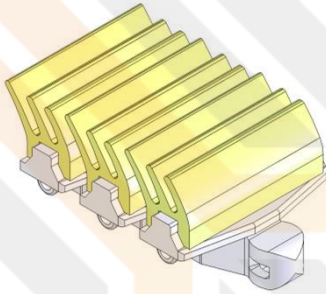
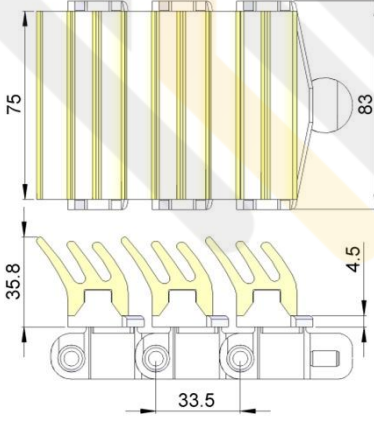
UOM: 5 Meter / box
Application: Suitable for transport product in slope > 5° but ≤ 30° without accumulation.

Wedge Top Chain FMWT-5A

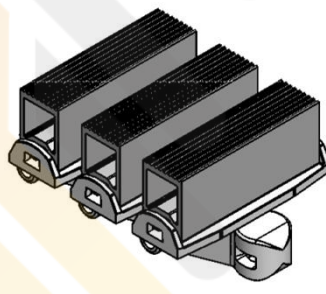
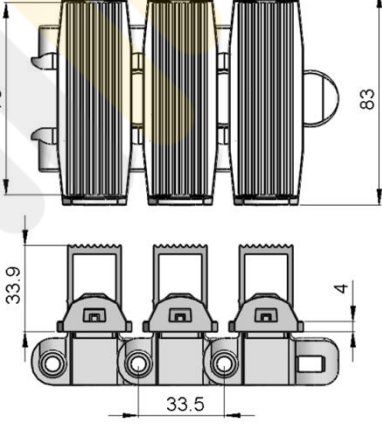
UOM: 5 Meter / box
Application: Vertical Wedge transportation of products.

Wedge Top Chain FMWT-5B

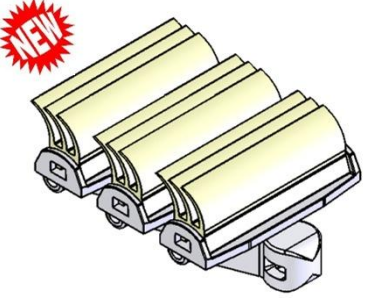
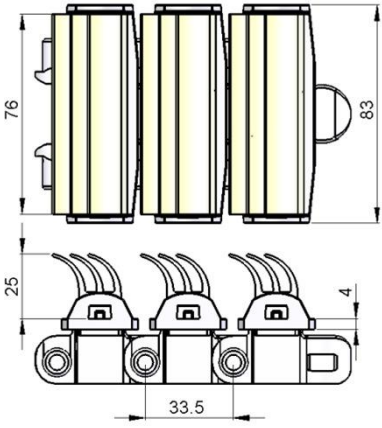
UOM: 5 Meter / box
Application: Vertical Wedge transportation of products (Heavy duty)

Wedge Top Chain FMWT-5C

UOM: 5 Meter / box
Application: Vertical Wedge transportation of products (Heavy duty)

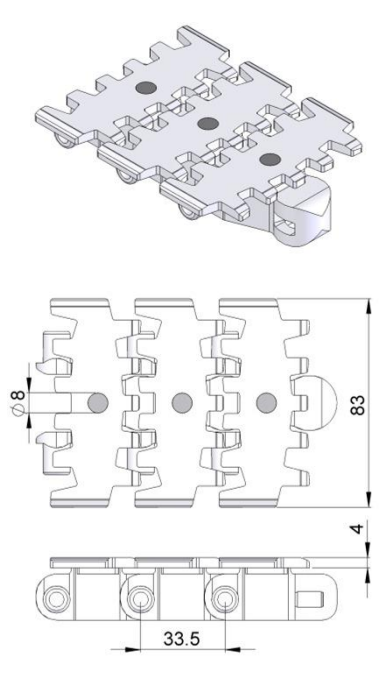
Wedge Top Chain FMWT-5D

UOM: 5 Meter / box
Application: Vertical Wedge transportation of products.

FM

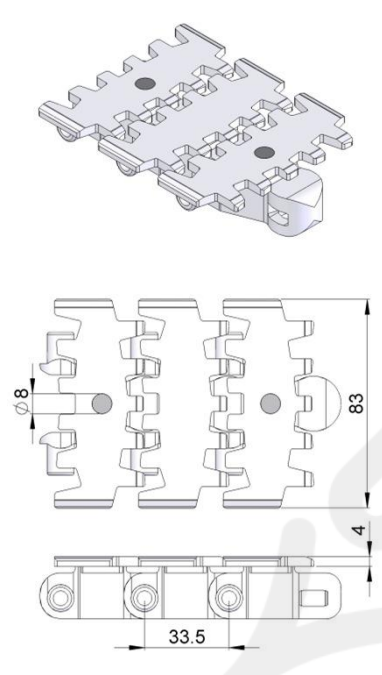
Magnet Top Chain FMMT-5



UOM: 5 Meter / box
Application: Suitable for conveying of ferromagnetic products in slope.

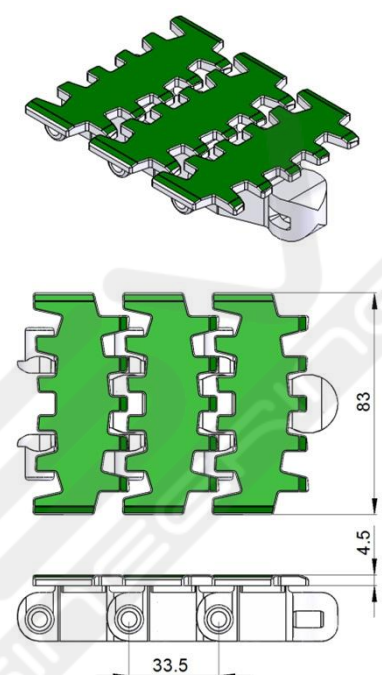
Magnet Top Chain FMMT-5-L#

= 1, 2, 3, 4, 5.....20



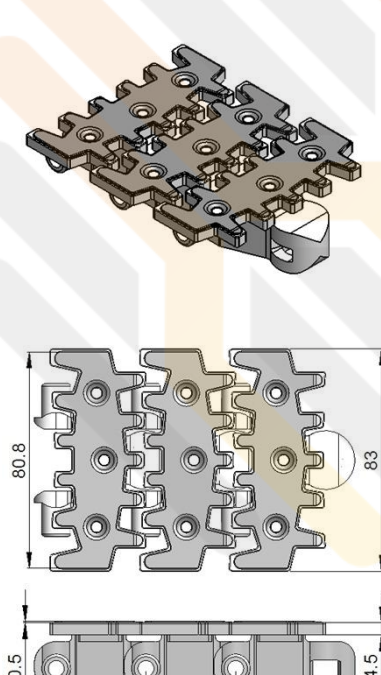
UOM: 5 Meter / box
Application: Suitable for conveying of ferromagnetic products in slope.

Flocked Chain FMFK-5



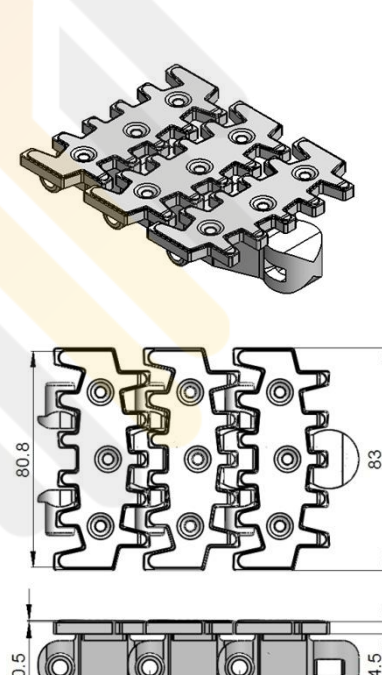
UOM: 5 METER/BOX
Application: Suitable to transport light weight, fragile and scratch sensitive product.

Hardened Steel Top Chain FMST-5



UOM: 5 METER/BOX
Application: Suitable to transport metal products in accumulation.

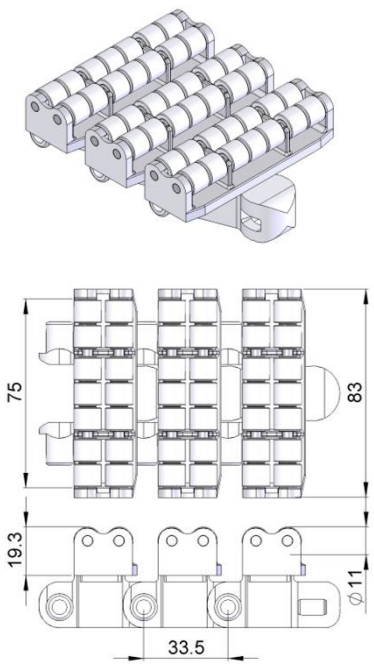
S/Steel Top Chain FMST-5S



UOM: 5 METER/BOX
Application: Suitable to transport metal products in accumulation.

FM

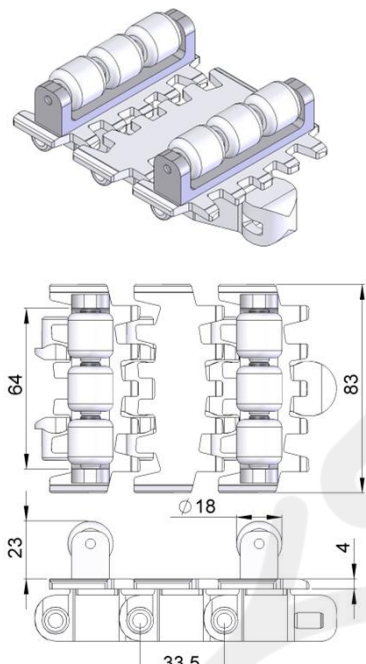
Roller Top Chain FMRT-5



UOM: 5 Meter / box
Application: Suitable for accumulation of product with low friction and pressure.

Roller Cleat Chain FMRC-5A-L#

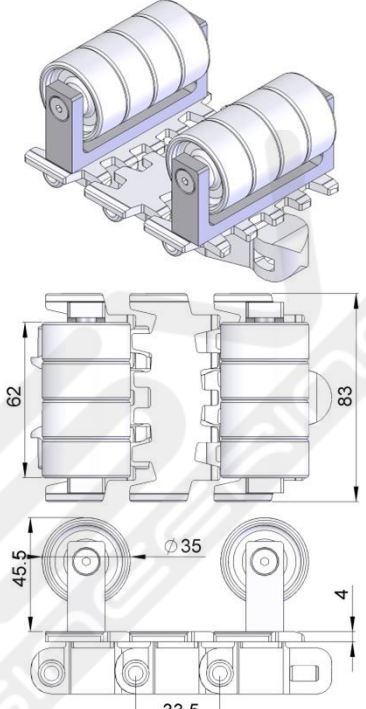
= 1, 2, 3, 4, 5.....20



UOM: 5 Meter / box
Application: Suitable for vertical transportation of product in slope with no accumulation.

Roller Cleat Chain FMRC-5B-L#

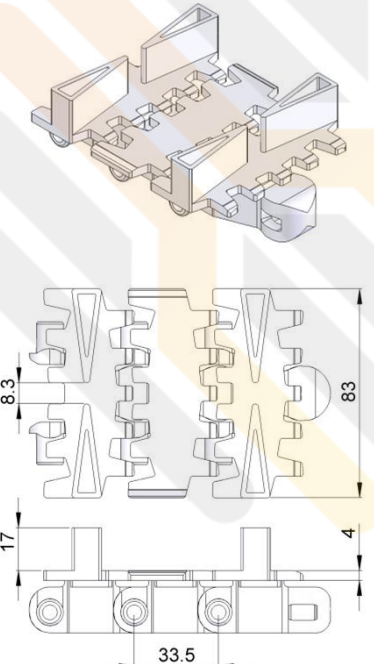
= 1, 2, 3, 4, 5.....20



UOM: 5 Meter / box
Application: Suitable for vertical transportation of product in slope with no accumulation.

Cleat Top Chain FMCT-5A17-L#

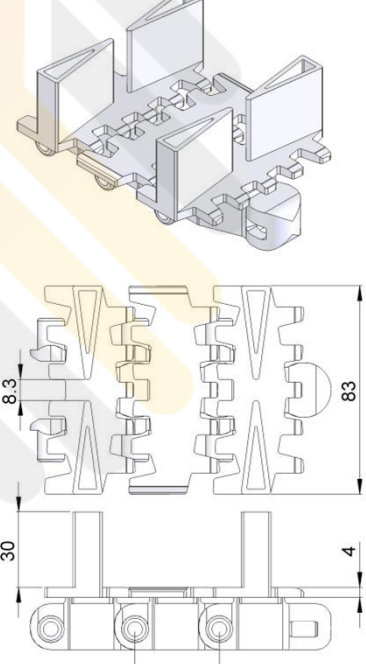
= 1, 2, 3, 4, 5.....20



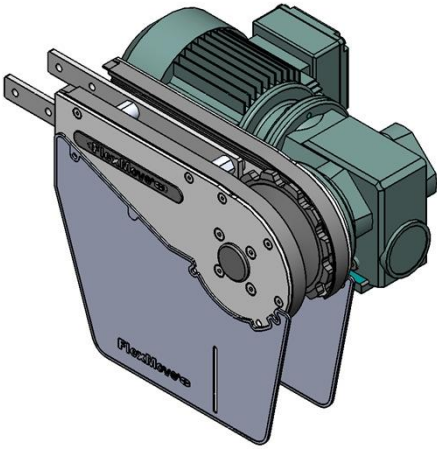
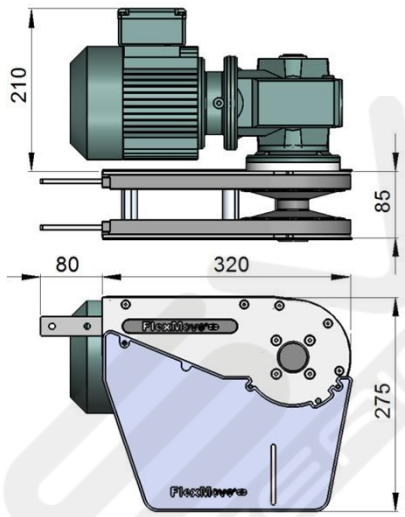
UOM: 5 Meter / box
Application: Suitable for vertical transport of product with no accumulation.

Cleat Top Chain FMCT-5A30-L#

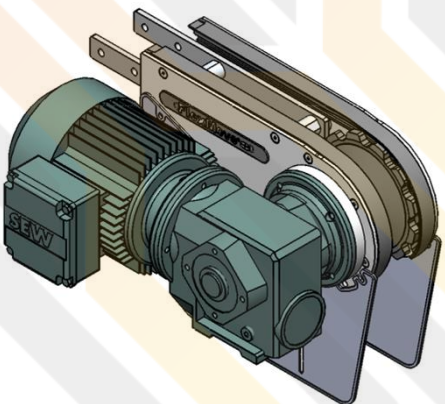
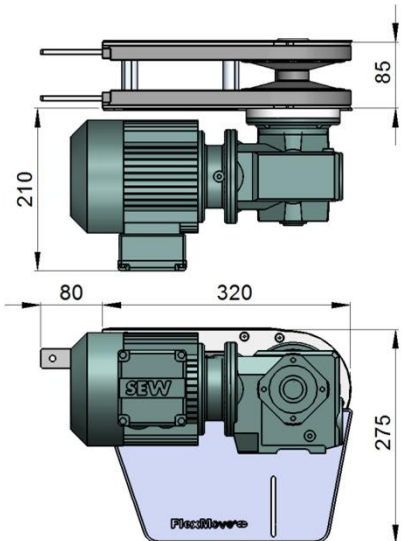
= 1, 2, 3, 4, 5.....20



UOM: 5 Meter / box
Application: Suitable for vertical transport of product with no accumulation.

FM Direct End Drive with Motor (LEFT) FMDD85-0.25L1, 0.37L1, 0.55L1	FM Direct End Drive without Motor (LEFT) FMDD85-0L1
	
<p>Max Traction Force : 1250N</p> <p>The Direct End Drive Unit is without torque limiter. Standard attached gear motors are with SEW motor size 0.25kW, 0.37kW & 0.55kW. FMDD85-0L1 represents direct drive without gear motor. Multi channel drives are available upon request.</p>	
<p>UOM : pc Chain required 2-way : 0.8 meter Slide rail required 2-way: 0.5 meter</p>	

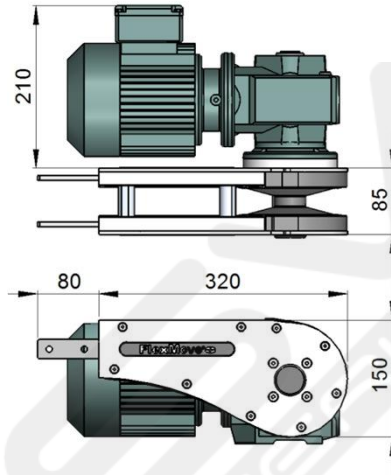
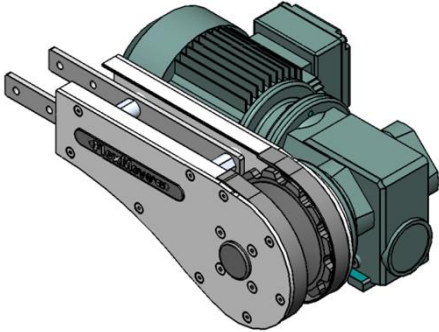
FM

FM Direct End Drive with Motor (RIGHT) FMDD85-025R1, 0.37R1, 0.55R1	FM Direct End Drive without Motor (RIGHT) FMDD85-0R 1
	
<p>Max Traction Force : 1250N</p> <p>The Direct End Drive Unit without torque limiter. Standard attached gear motor are with SEW motor size 0.25kW, 0.37kW & 0.55kW. FMDD85-0R1 represents direct drive without gear motor. Multi channel drives are available upon request.</p>	
<p>UOM : pc Chain required 2-way : 0.8 meter Slide rail required 2-way: 0.5 meter</p>	

SEW gear motors are products of SEW Eurodrive.

FM Direct End Drive with Motor GP (LEFT)
FMDD85-GP-0.25L1, 0.37L1, 0.55L1

FM Direct End Drive without Motor GP (LEFT)
FMDD85-GP-0L1



FM

Max Traction Force : 1250N

The Direct End Drive Unit GP is used for vertical wedge conveyor. Standard attached gear motors are with SEW motor size 0.25kW, 0.37kW & 0.55kW. FMDD85-GP-0L represents direct drive without gear motor.

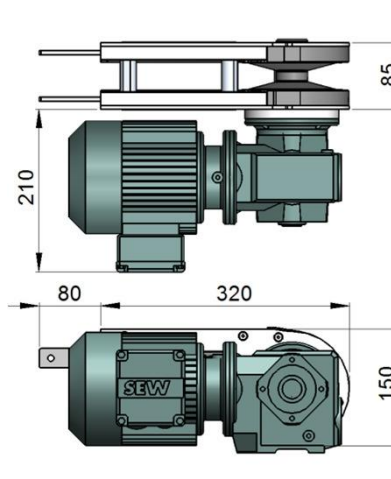
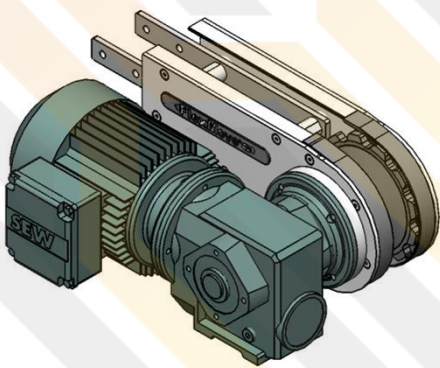
UOM : pc

Chain required 2-way : 0.8 meter

Slide rail required 2-way: 0.5 meter

FM Direct End Drive with Motor GP (RIGHT)
FMDD85-GP-025R1, 0.37R1, 0.55R1

FM Direct End Drive without Motor GP (RIGHT)
FMDD85-GP-0R1



Max Traction Force : 1250N

The Direct End Drive Unit GP is used for vertical wedge conveyor Standard attached gear motors are with SEW motor size 0.25kW, 0.37kW & 0.55kW. FMDD85-GP-0R represents direct drive without gear motor.

UOM : pc

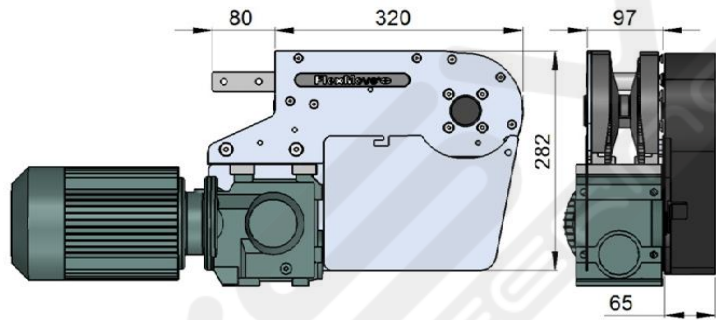
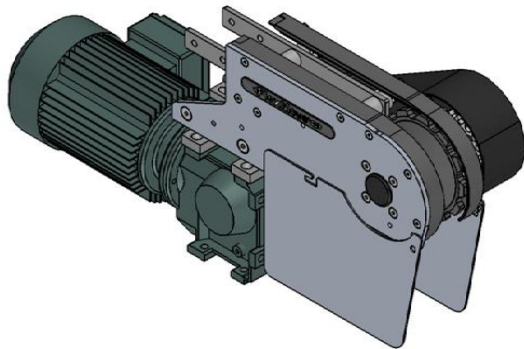
Chain required 2-way : 0.8 meter

Slide rail required 2-way: 0.5 meter

SEW gear motors are products of SEW Eurodrive.

FM Suspended End Drive with Motor (LEFT)
FMSD-0.25L1, 0.37L1, 0.55L1

FM Suspended End Drive without Motor (LEFT)
FMSD-0L1



FM

Max Traction Force : 1250N

The Suspended End Drive Unit is with torque limiter. Standard attached gear motors are with SEW motor size 0.25kW, 0.37kW & 0.55kW. FMSD-0L represents direct drive without gear motor.

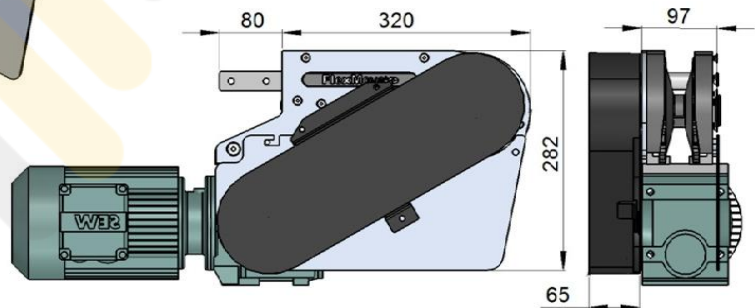
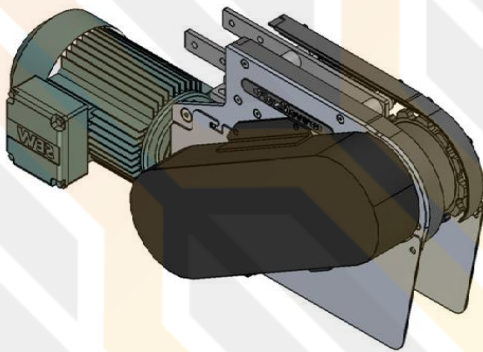
UOM : pc

Chain required 2-way : 0.8 meter

Slide rail required 2-way: 0.5 meter

FM Suspended End Drive with Motor (RIGHT)
FMSD-0.25R1, 0.37R1, 0.55R1

FM Suspended End Drive without Motor (RIGHT)
FMSD-0R1



Max Traction Force : 1250N

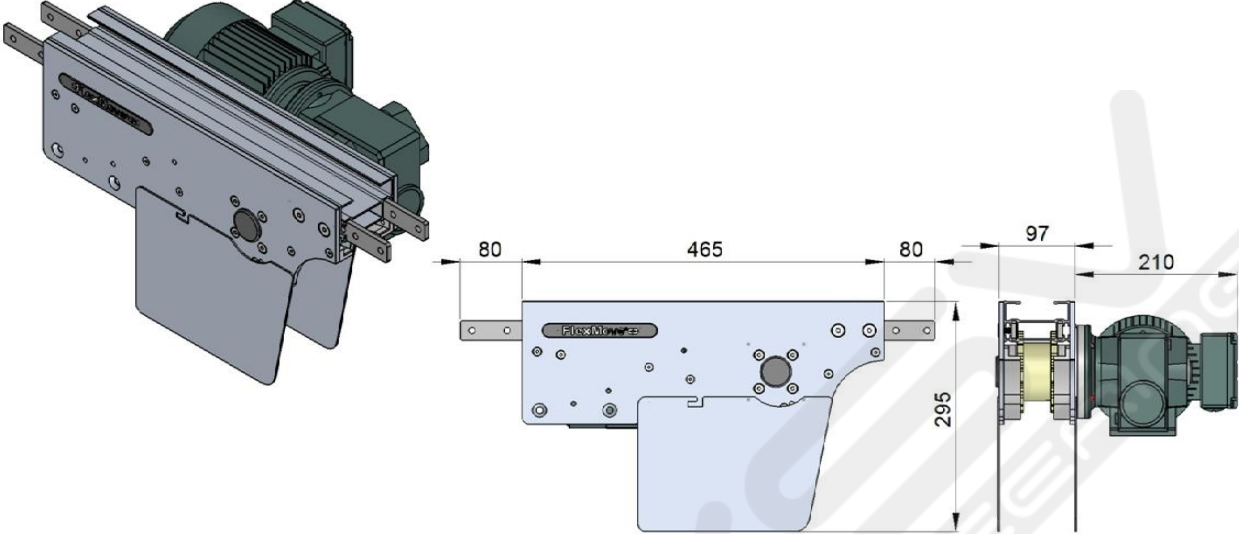
The Suspended End Drive Unit is with torque limiter. Standard attached gear motors are with SEW motor size 0.25kW, 0.37kW & 0.55kW. FMSD-0R represents direct drive without gear motor.

UOM : pc

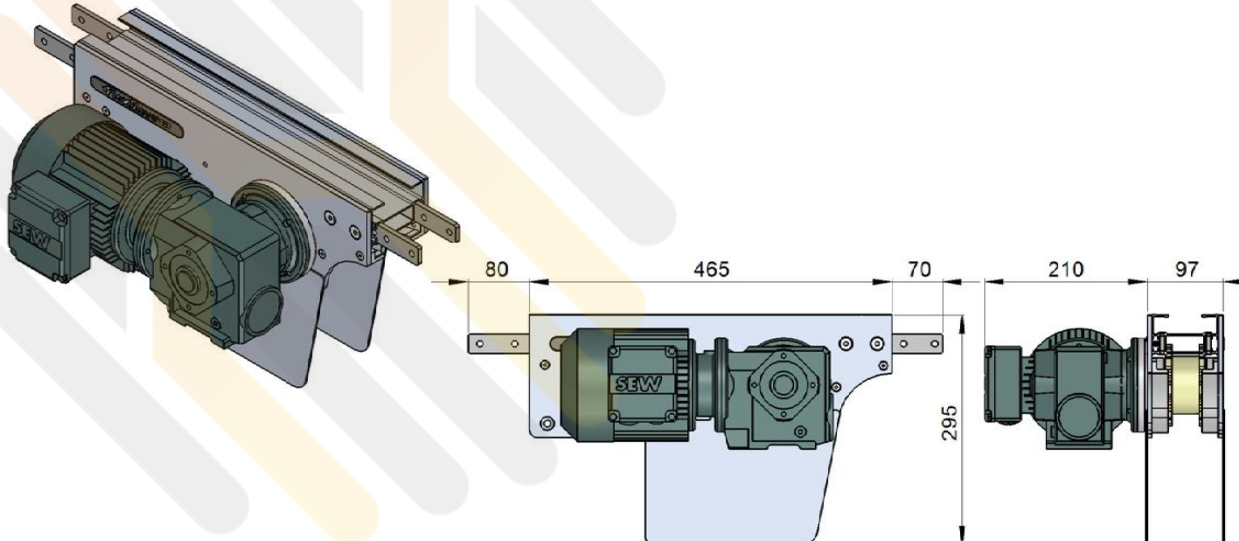
Chain required 2-way : 0.8 meter

Slide rail required 2-way: 0.5 meter

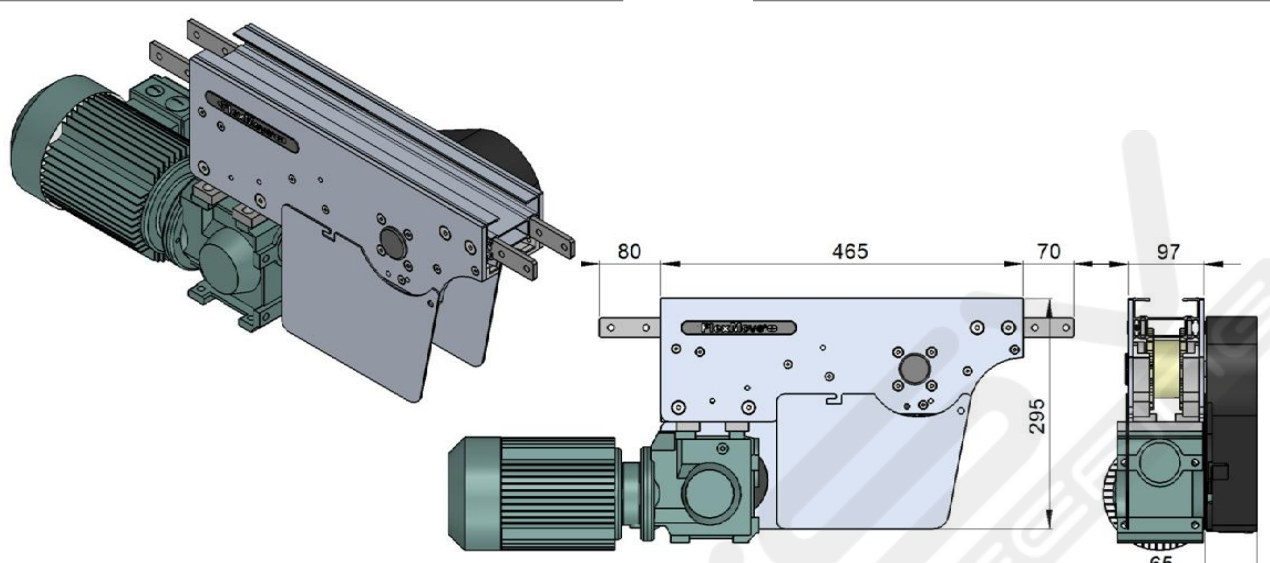
SEW gear motors are products of SEW Eurodrive.

FM Direct Intermediate Drive with Motor (LEFT) FMID-DD-0.25L1, 0.37L1, 0.55L1	FM Direct Intermediate Drive without Motor (LEFT) FMID-DD-0L1
	
<p>Max Tracción Fôrce : 200N**</p> <p>The Direct Intermediate Drive Unit is without torque limiter. Standard attached gear motors are with SEW motor size 0.25kW, 0.37kW & 0.55kW. FMID-DD-0L represents direct drive without gear motor. Maximum traction force for FMIDDD is lower than FMDD and FMDD.</p>	
<p>UOM : pc Chain required 2-way : 1.2 meter Slide rail required 2-way: 1.1 meter</p>	

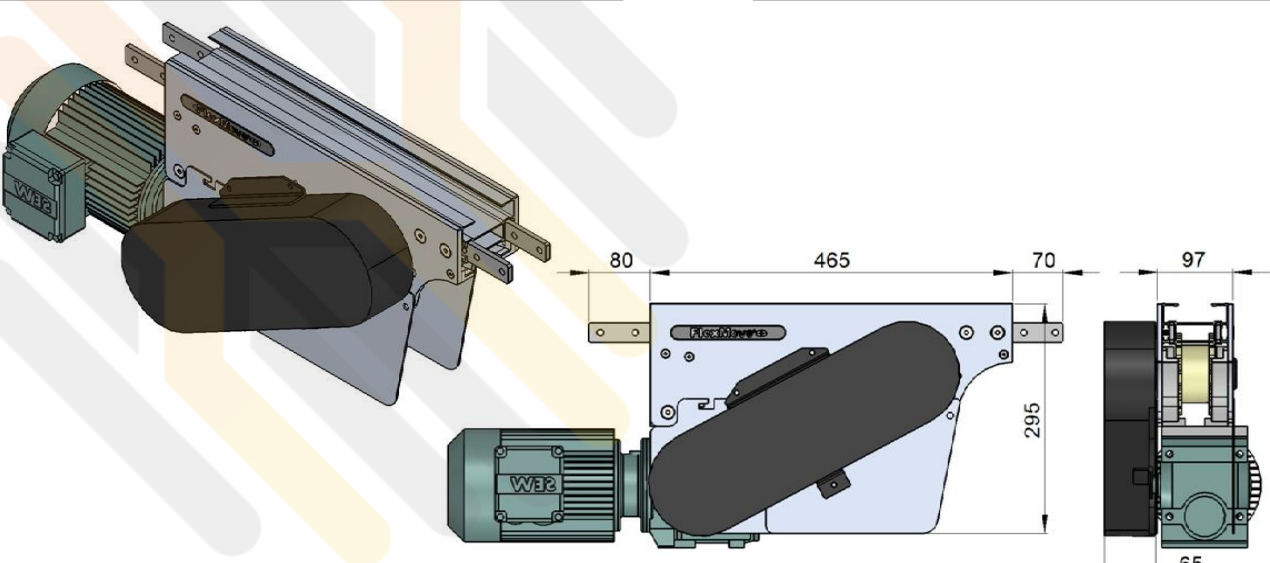
FM

FM Direct Intermediate Drive with Motor (RIGHT) FMID-DD-0.25R1, 0.37R1, 0.55R1	FM Direct Intermediate Drive without Motor (RIGHT) FMID-DD-0R1
	
<p>Max Tracción Fôrce : 200N**</p> <p>The Direct Intermediate Drive Unit is without torque limiter. Standard attached gear motors are with SEW motor size 0.25kW, 0.37kW & 0.55kW. FMID-DD-0R represents direct drive without gear motor. Maximum traction force for FMIDDD is lower than FMDD and FMDD.</p>	
<p>UOM : pc Chain required 2-way : 1.2 meter Slide rail required 2-way: 1.1 meter</p>	

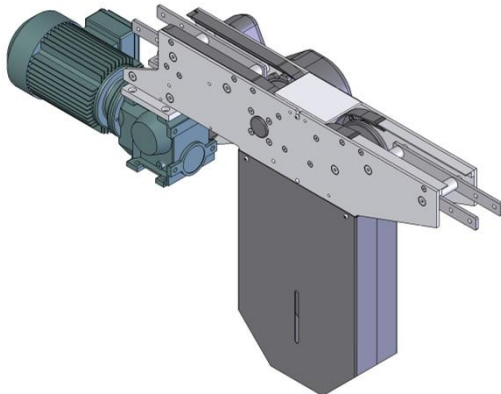
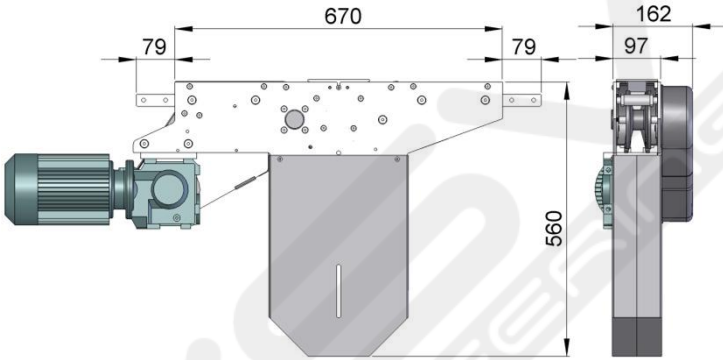
SEW gear motors are products of SEW Eurodrive.

FM Suspended Intermediate Drive with Motor (LEFT) FMID-SD-0.25L1, 0.37L1, 0.55L1	FM Suspended Intermediate Drive without Motor (LEFT) FMID-SD-0L1
	
<p>Max Traction Force : 200N The Suspended Intermediate Drive Unit is with torque limiter. Standard attached gear motors are with SEW motor size 0.25kW, 0.37kW & 0.55kW. FMID-SD-0L represents suspended drive without gear motor. Maximum traction force for FMID-SD is lower than FMDD and FMSD.</p>	
<p>UOM : pc Chain required 2-way : 1.2 meter Slide rail required 2-way: 1.1 meter</p>	

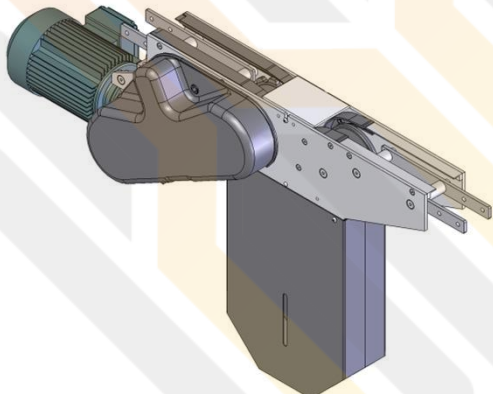
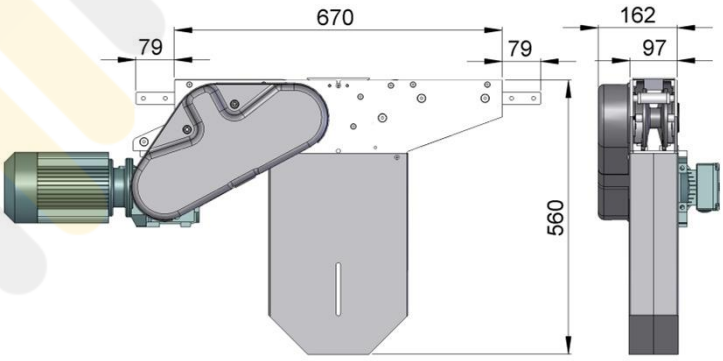
FM

FM Suspended Intermediate Drive with Motor (RIGHT) FMID-SD-0.25R1, 0.37R1, 0.55R1	FM Suspended Intermediate Drive without Motor (RIGHT) FMID-SD-0R1
	
<p>Max Traction Force : 200N The Suspended Intermediate Drive Unit is with torque limiter. Standard attached gear motors are with SEW motor size 0.25kW, 0.37kW & 0.55kW. FMID-SD-0R represents suspended drive without motor. Maximum traction force for FMIDSD is lower than FMDD and FMSD.</p>	
<p>UOM : pc Chain required 2-way : 1.2 meter Slide rail required 2-way: 1.1 meter</p>	

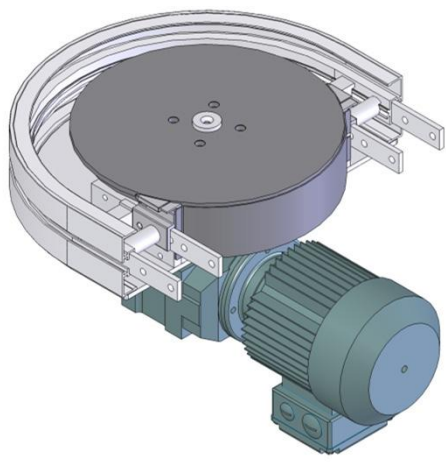
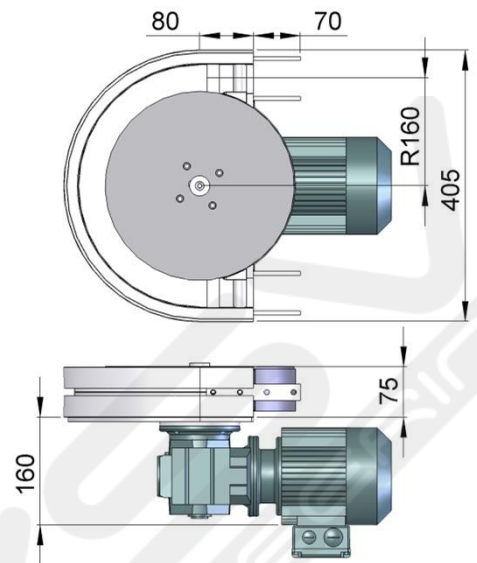
SEW gear motors are products of SEW Eurodrive.

FM Suspended Catenary Drive with Motor (LEFT) FMCD-SD-0.25L, 0.37L, 0.55L	FM Suspended Catenary Drive without Motor (LEFT) FMCD-0L
	
	
<p>Max Traction Force : 1250N</p> <p>The Suspended Catenary Drive Unit is with torque limiter. Standard attached gear motors are with SEW motor size 0.25kW, 0.37kW & 0.55kW. FMCD-SD-0L represents suspended drive without gear motor.</p>	
<p>UOM : pc Chain required 1-way : 1.4 meter Slide rail required 1-way: 1.0 meter</p>	

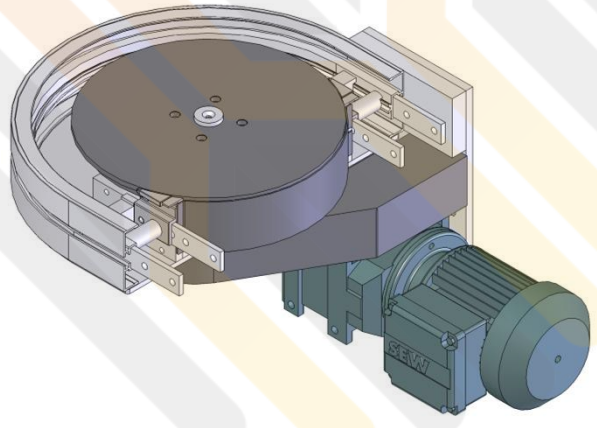
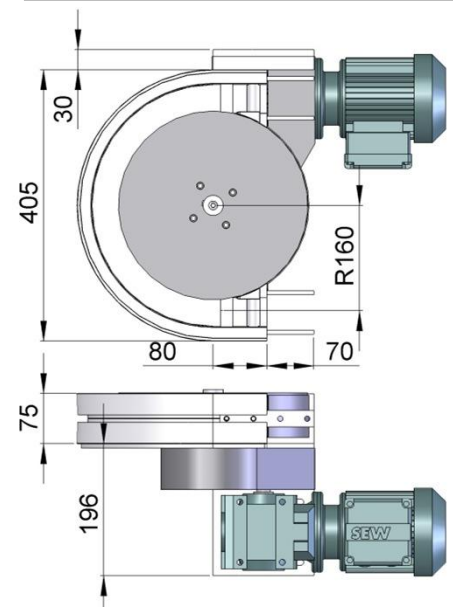
FM

FM Suspended Catenary Drive with Motor (RIGHT) FMCD-SD-0.25R, 0.37R, 0.55R	FM Suspended Catenary Drive without Motor (RIGHT) FMCD-0R
	
	
<p>Max Traction Force : 1250N</p> <p>The Suspended Catenary Drive Unit is with torque limiter. Standard attached drive are with SEW motor size 0.25kW, 0.37kW & 0.55kW. FMCD-SD-0R represents suspended drive without motor.</p>	
<p>UOM : pc Chain required 1-way : 1.4 meter Slide rail required 1-way: 1.0 meter</p>	

SEW gear motors are products of SEW Eurodrive.

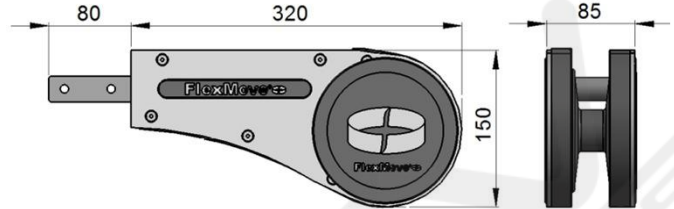
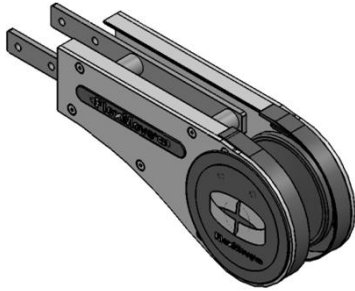
FM Direct Wheel Drive with Motor FMWD-DD-0.25, 0.37, 0.55	FM Direct Wheel Drive without Motor FMWD-DD-0M
	
<p>Max Traction Force : 200N</p> <p>The Direct Wheel Drive Unit is without torque limiter. Standard attached gear motors are with SEW motor size 0.25kW, 0.37kW & 0.55kW. FMWD-DD-0M represents wheel drive without gear motor. Maximum traction force for FMWD-DD is lower than FMDD and FMSD.</p>	
<p>UOM : pc</p> <p>Chain required 1-way : 0.7 meter</p> <p>Slide rail required 1-way: 0.7 meter</p>	

FM

FM Suspended Wheel Drive with Motor FMWD-SD-0.25, 0.37, 0.55	FM Suspended Wheel Drive without Motor FMWD-SD-0M
	
<p>Max Traction Force : 200N</p> <p>The Suspended Wheel Drive Unit is with torque limiter. Standard attached gear motors are with SEW motor size 0.25kW, 0.37kW & 0.55kW. FMWD-SD-0M represents wheel drive without gear motor. Maximum traction force for FMWD-SD is lower than FMDD and FMSD.</p>	
<p>UOM : pc</p> <p>Chain required 1-way : 0.7 meter</p> <p>Slide rail required 1-way: 0.7 meter</p>	

SEW gear motors are products of SEW Eurodrive.

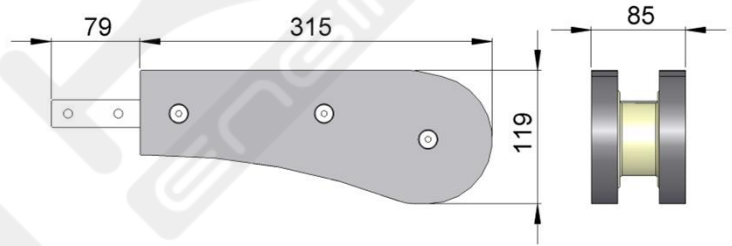
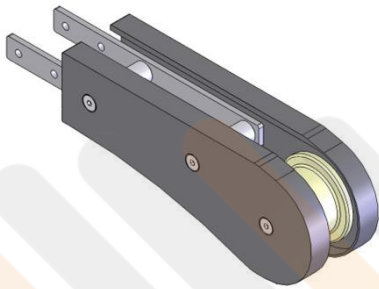
FM Idler End 85
FMIE-85



FM

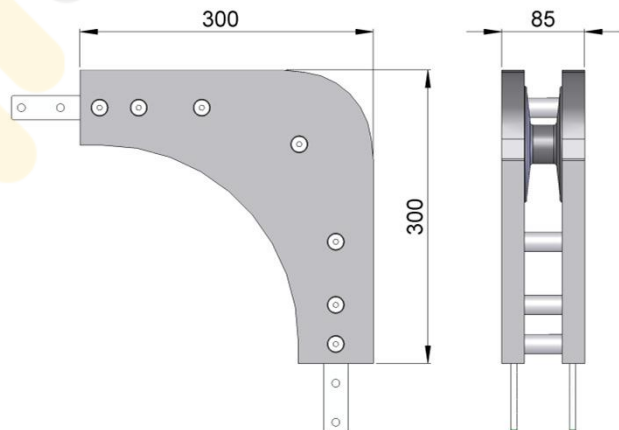
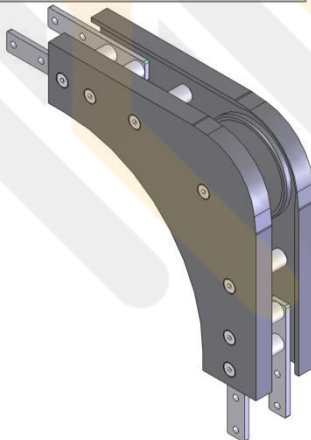
UOM : pc
Chain required 2-way : 0.8 meter
Slide rail required 2-way: 0.5 meter

FM Idler End-315
FMIE-315



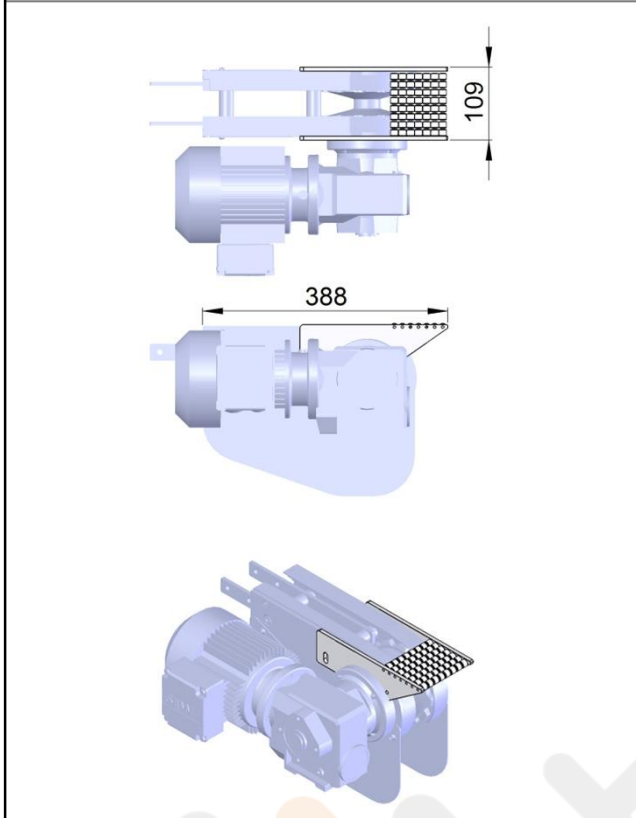
UOM : pc
Chain required 2-way : 0.7 meter
Slide rail required 2-way: 0

FM Idler Bend
FMIB-300

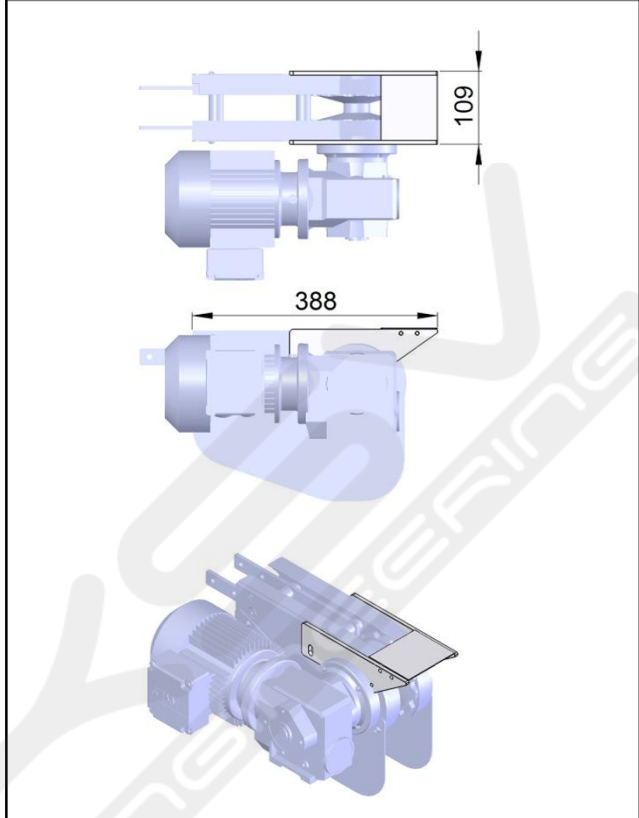


UOM : pc
Chain required 2-way : 1.6 meter
Slide rail required 2-way: 0

FM End Transfer Bridge c/w Roller for Drive Unit FMTB-DRR

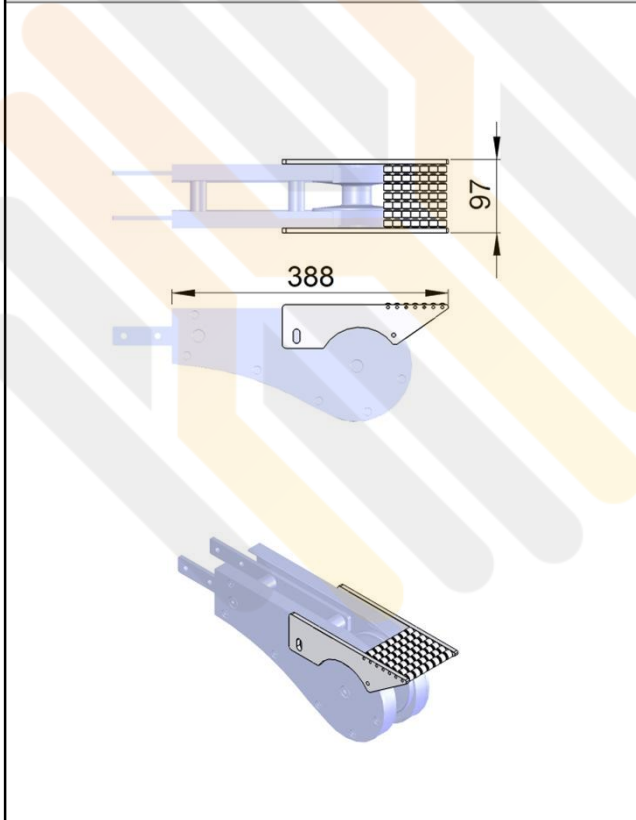


FM End Transfer Bridge w/o Roller for Drive Unit FMTB-DR

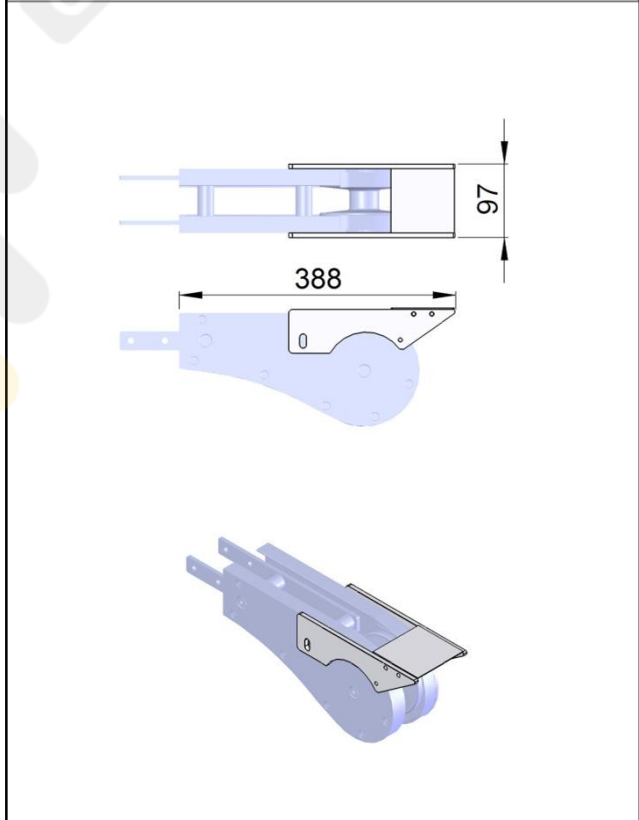


FM

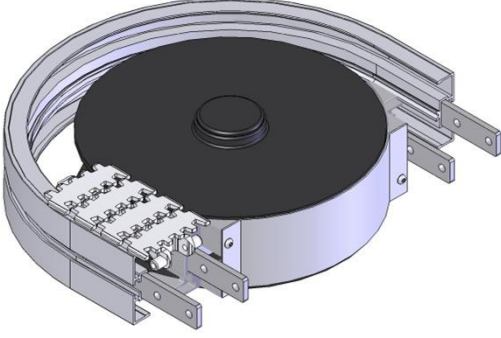
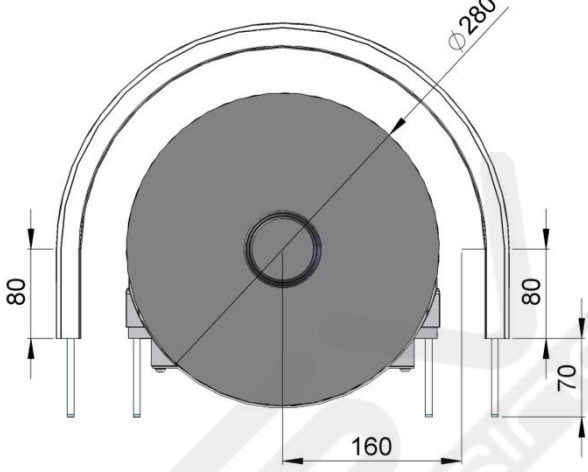
FM End Transfer Bridge c/w Roller for Idler Unit FMTB-IER



FM End Transfer Bridge w/o Roller for Idler Unit FMTB-IE



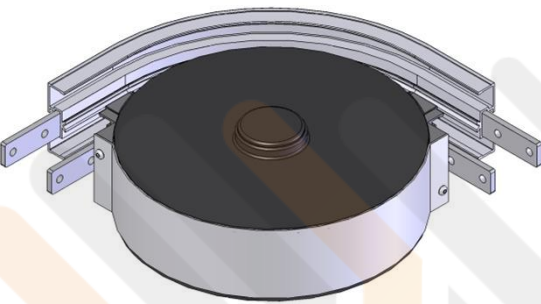
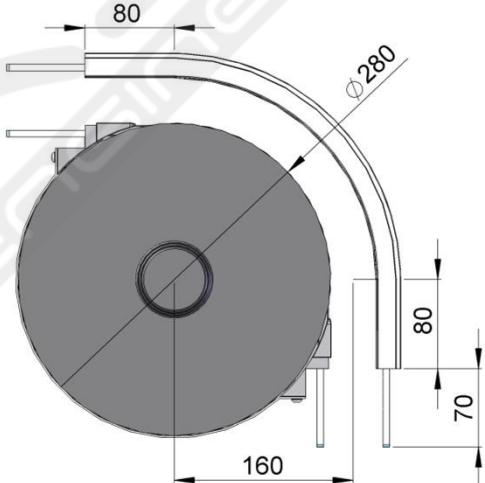
FM Wheel Bend 180°
FMWB-180R160A

UOM : pc
Chain required 2-way : 1.3 meter
Slide rail required 2-way: 1.0 meter

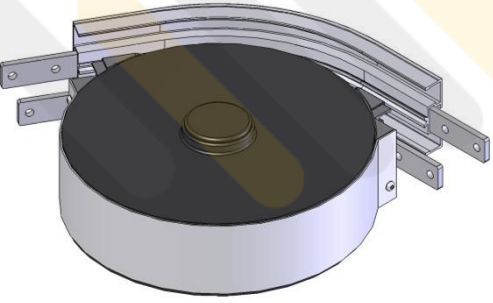
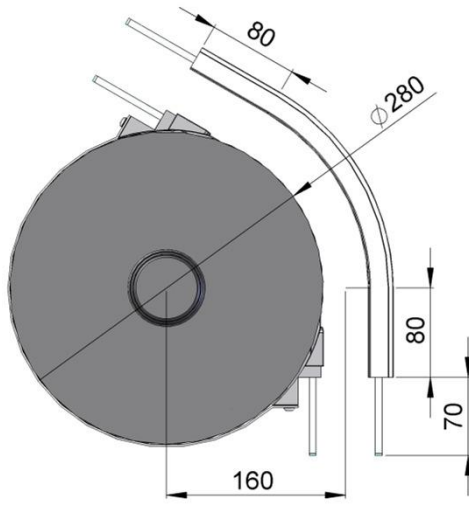
FM

FM Wheel Bend 90°
FMWB-90R160A

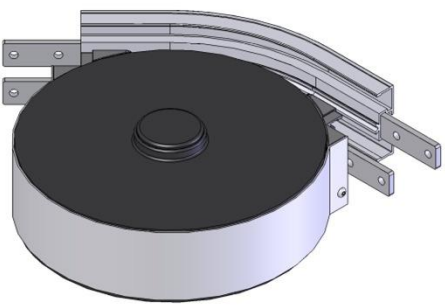
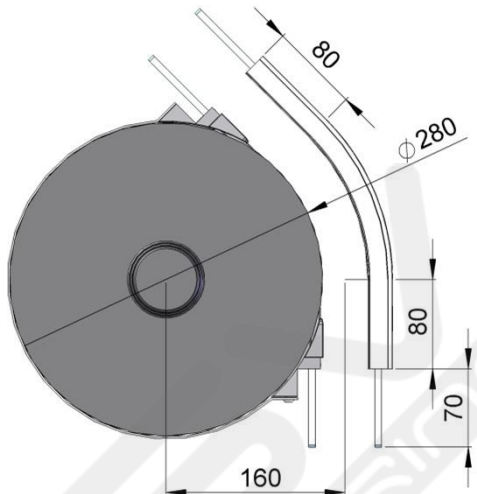
UOM : pc
Chain required 2-way : 0.8 meter
Slide rail required 2-way: 0.8 meter

FM Wheel Bend 60°
FMWB-60R160A

UOM : pc
Chain required 2-way : 0.7 meter
Slide rail required 2-way: 0.7 meter

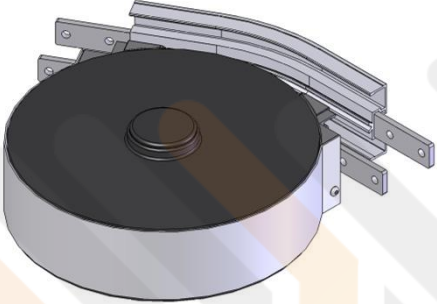
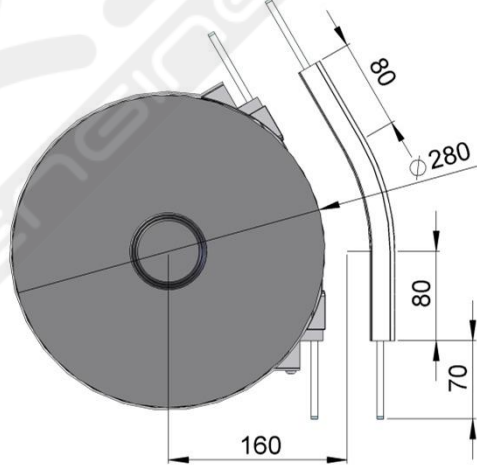
FM Wheel Bend 45°
FMWB-45R160A

UOM : pc
Chain required 2-way : 0.7 meter
Slide rail required 2-way: 0.6 meter

FM

FM Wheel Bend 30°
FMWB-30R160A

UOM : pc
Chain required 2-way : 0.5 meter
Slide rail required 2-way: 0.6 meter

FM Wheel Bend 5° - 180°

Example for FM Wheel Bend Ordering

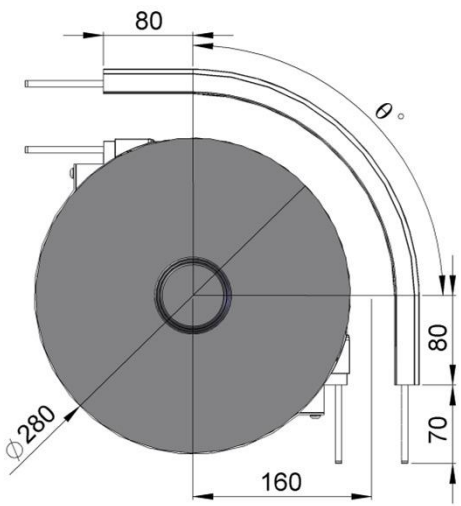
Wheel bend, °±1°

FMWB- °R160A

If an angle of 65° is needed for wheel bend, so the ordering part number is

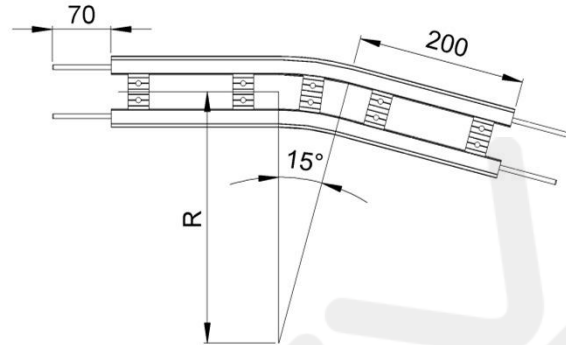
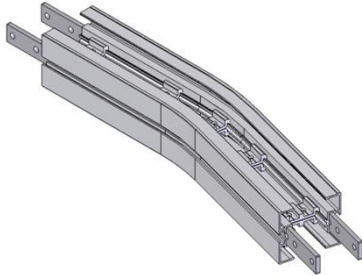
FMWB-65R160A

The outer bend is assembled using connecting strip (FACS-25x140A). Angle of ° must be indicated when ordering.



FM

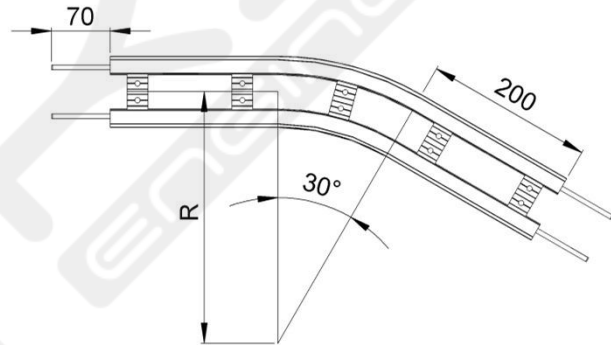
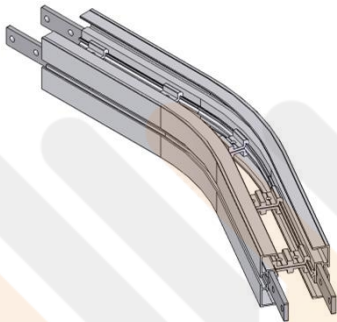
FM Horizontal Plain Bend 15°



UOM : pc
Chain required 2-way (300, 500, 700, 1000) : 1, 1.1, 1.2, 1.4 meter
Slide rail required 2-way(300, 500, 700, 1000): 2, 2.2, 2.4, 2.8 meter

Horizontal plain bend, 15° ± 1°
R = 300 ± 10mm FMHB-15R300
R = 500 ± 10mm FMHB-15R500
R = 700 ± 10mm FMHB-15R700
R = 1000 ± 10mm FMHB-15R1000

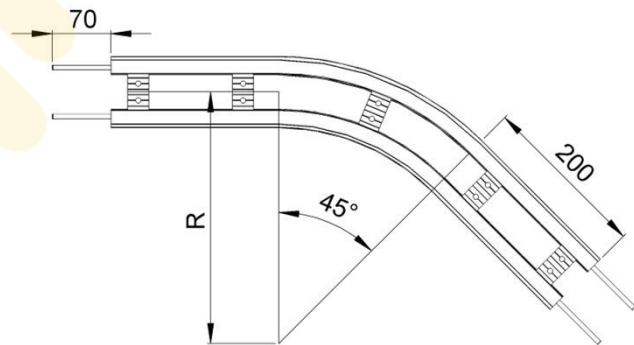
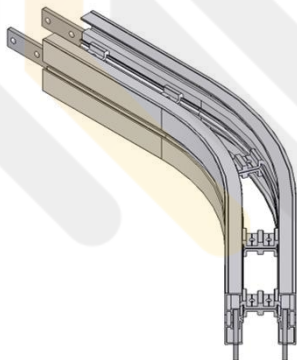
FM Horizontal Plain Bend 30°



UOM : pc
Chain required 2-way (300, 500, 700, 1000) : 1.2, 1.4, 1.6, 1.9 meter
Slide rail required 2-way(300, 500, 700, 1000): 2.4, 2.8, 3.2, 3.8 meter

Horizontal plain bend, 30° ± 1°
R = 300 ± 10mm FMHB-30R300
R = 500 ± 10mm FMHB-30R500
R = 700 ± 10mm FMHB-30R700
R = 1000 ± 10mm FMHB-30R1000

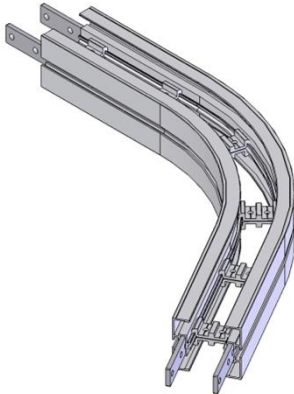
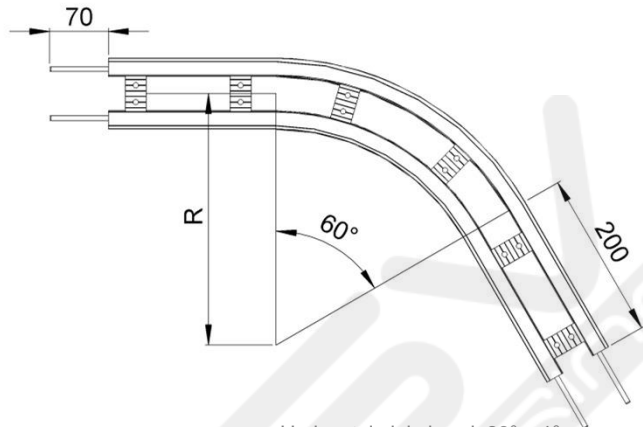
FM Horizontal Plain Bend 45°



UOM : pc
Chain required 2-way (300, 500, 700, 1000) : 1.3, 1.6, 1.9, 2.4 meter
Slide rail required 2-way(300, 500, 700, 1000): 2.5, 2.9, 3.3, 3.9 meter

Horizontal plain bend, 45° ± 1°
R = 300 ± 10mm FMHB-45R300
R = 500 ± 10mm FMHB-45R500
R = 700 ± 10mm FMHB-45R700
R = 1000 ± 10mm FMHB-45R1000

FM Horizontal Plain Bend 60°

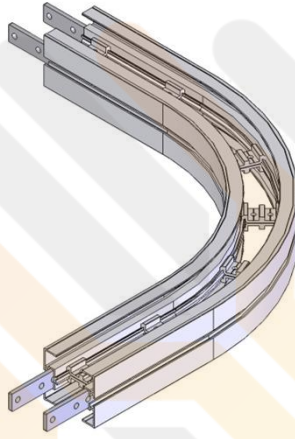
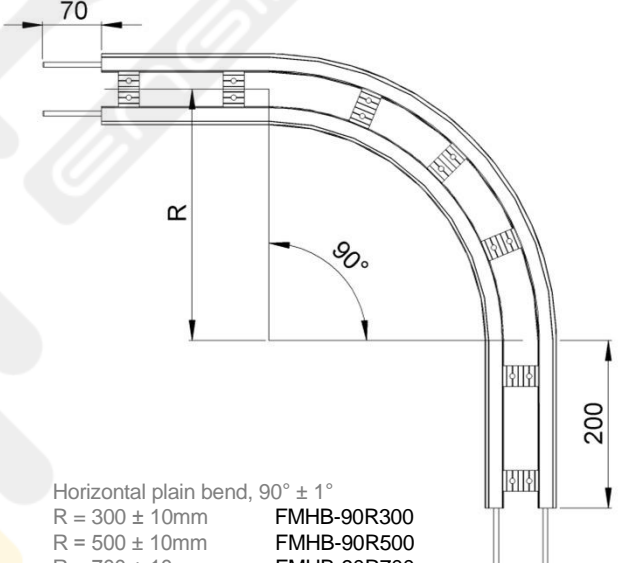



Horizontal plain bend, $60^\circ \pm 1^\circ$
 R = $300 \pm 10\text{mm}$ FMHB-60R300
 R = $500 \pm 10\text{mm}$ FMHB-60R500
 R = $700 \pm 10\text{mm}$ FMHB-60R700
 R = $1000 \pm 10\text{mm}$ FMHB-60R1000

UOM : pc
 Chain required 2-way (300, 500, 700, 1000) : 1.5, 1.9, 2.3, 2.9 meter
 Slide rail required 2-way(300, 500, 700, 1000): 2.9, 3.7, 4.6, 5.8 meter

FM

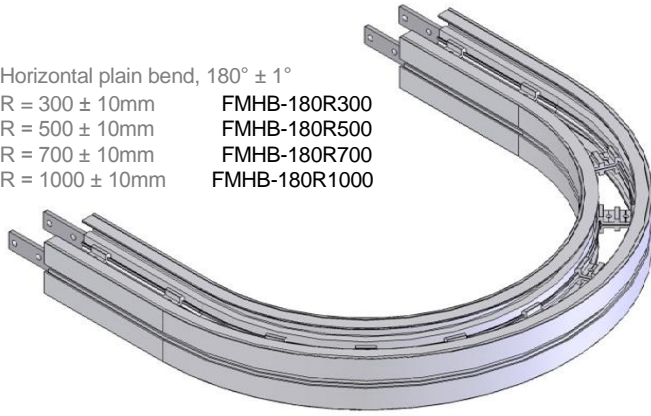
FM Horizontal Plain Bend 90°

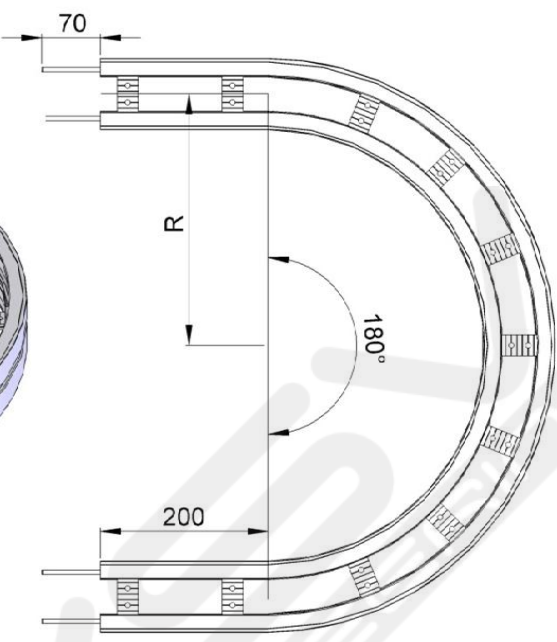
Horizontal plain bend, $90^\circ \pm 1^\circ$
 R = $300 \pm 10\text{mm}$ FMHB-90R300
 R = $500 \pm 10\text{mm}$ FMHB-90R500
 R = $700 \pm 10\text{mm}$ FMHB-90R700
 R = $1000 \pm 10\text{mm}$ FMHB-90R1000

UOM : pc
 Chain required 2-way (300, 500, 700, 1000) : 1.8, 2.4, 3.0, 4.0 meter
 Slide rail required 2-way(300, 500, 700, 1000): 3.5, 4.8, 6.0, 8.0 meter

FM Horizontal Plain Bend, 180°



Horizontal plain bend, $180^\circ \pm 1^\circ$
 $R = 300 \pm 10\text{mm}$ FMHB-180R300
 $R = 500 \pm 10\text{mm}$ FMHB-180R500
 $R = 700 \pm 10\text{mm}$ FMHB-180R700
 $R = 1000 \pm 10\text{mm}$ FMHB-180R1000



UOM : pc
 Chain required 2-way (300, 500, 700, 1000) : 2.7, 4.0, 5.2, 7.1 meter
 Slide rail required 2-way(300, 500, 700, 1000): 5.4, 7.9, 1.1, 14.2 meter

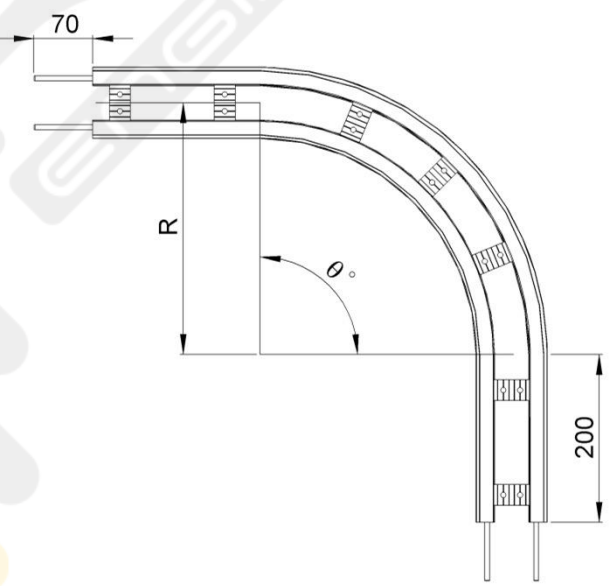
FM

FM Horizontal Plain Bend 5° - 180°

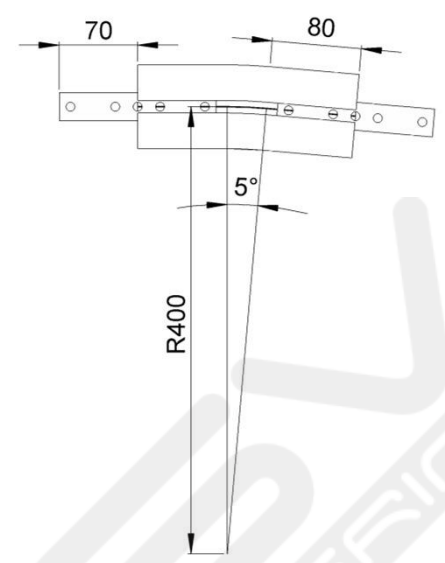
Example for FM Horizontal Plain Bend Ordering

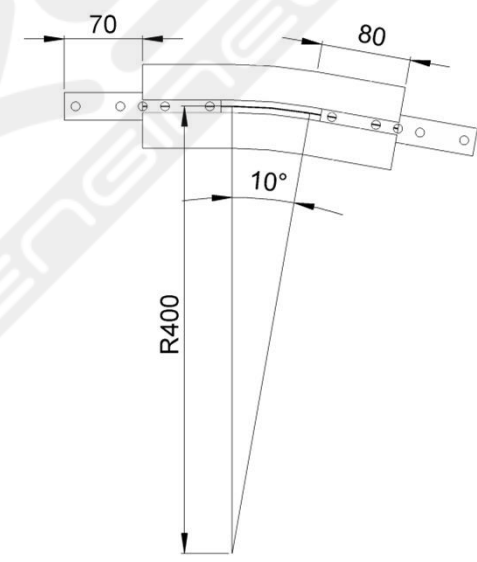
Horizontal plain bend, $\pm 1^\circ$
 $R = 300 \pm 10\text{mm}$ FMHB- °R300
 $R = 500 \pm 10\text{mm}$ FMHB- °R500
 $R = 700 \pm 10\text{mm}$ FMHB- °R700
 $R = 1000 \pm 10\text{mm}$ FMHB- °R1000

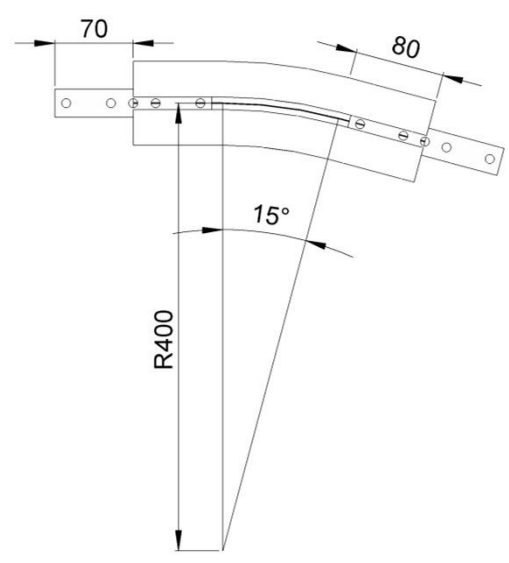
If an angle of 120° is needed for radius R500 horizontal plain bend, so the ordering part number is
 FMHB-120R500



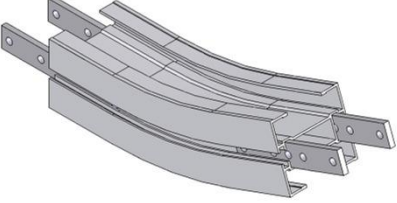
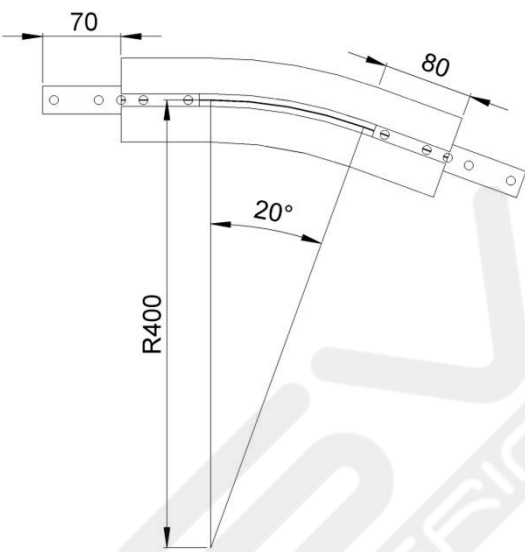
UOM : pc
 Chain required 2-way (300, 500, 700, 1000) : meter (variable to angle)
 Slide rail required 2-way(300, 500, 700, 1000): meter (variable to angle)

<p>FM Vertical Bend 5° FMVB-5R400</p>		<p>FM</p>
<p>UOM: pc Chain required 2-way: 0.4 meter Slide rail required 2-way: 0.8 meter</p>		

<p>FM Vertical Bend 10° FMVB-10R400</p>	
<p>UOM: pc Chain required 2-way: 0.5 meter Slide rail required 2-way: 1.0 meter</p>	

<p>FM Vertical Bend 15° FMVB-15R400</p>	
<p>UOM: pc Chain required 2-way: 0.6 meter Slide rail required 2-way: 1.1 meter</p>	

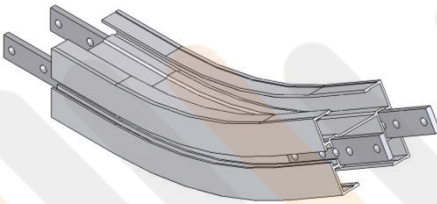
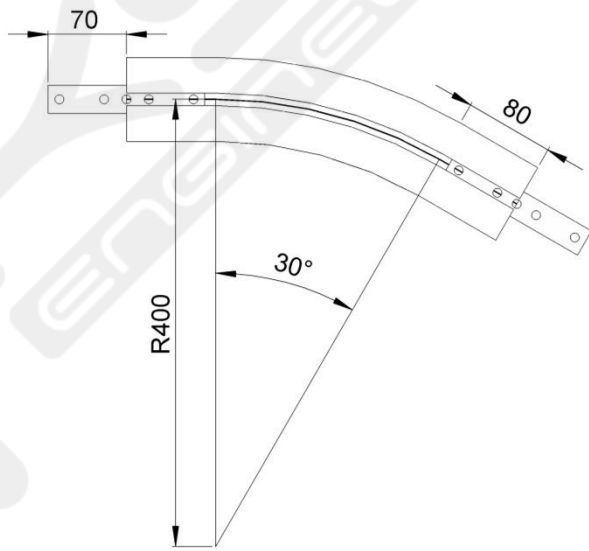
FM Vertical Bend 20°
FMVB-20R400

UOM: pc
Chain required 2-way: 0.6 meter
Slide rail required 2-way: 1.2 meter

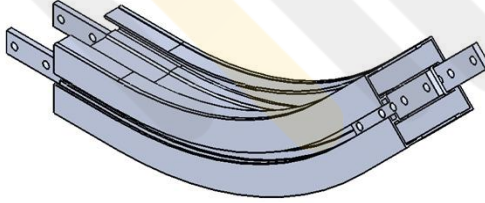
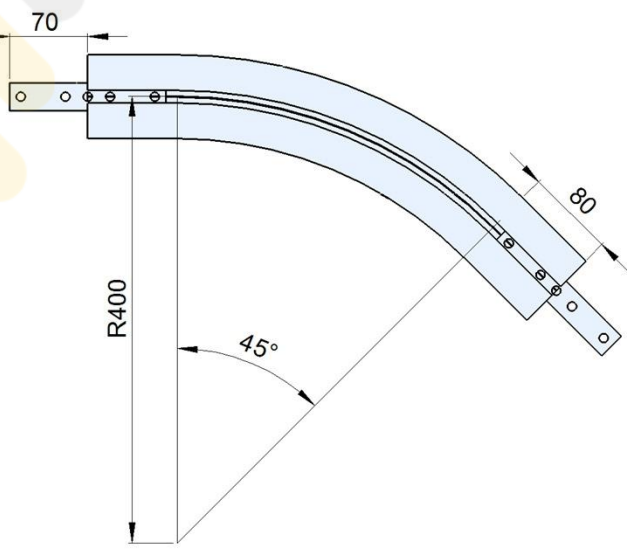
FM

FM Vertical Bend 30°
FMVB-30R400

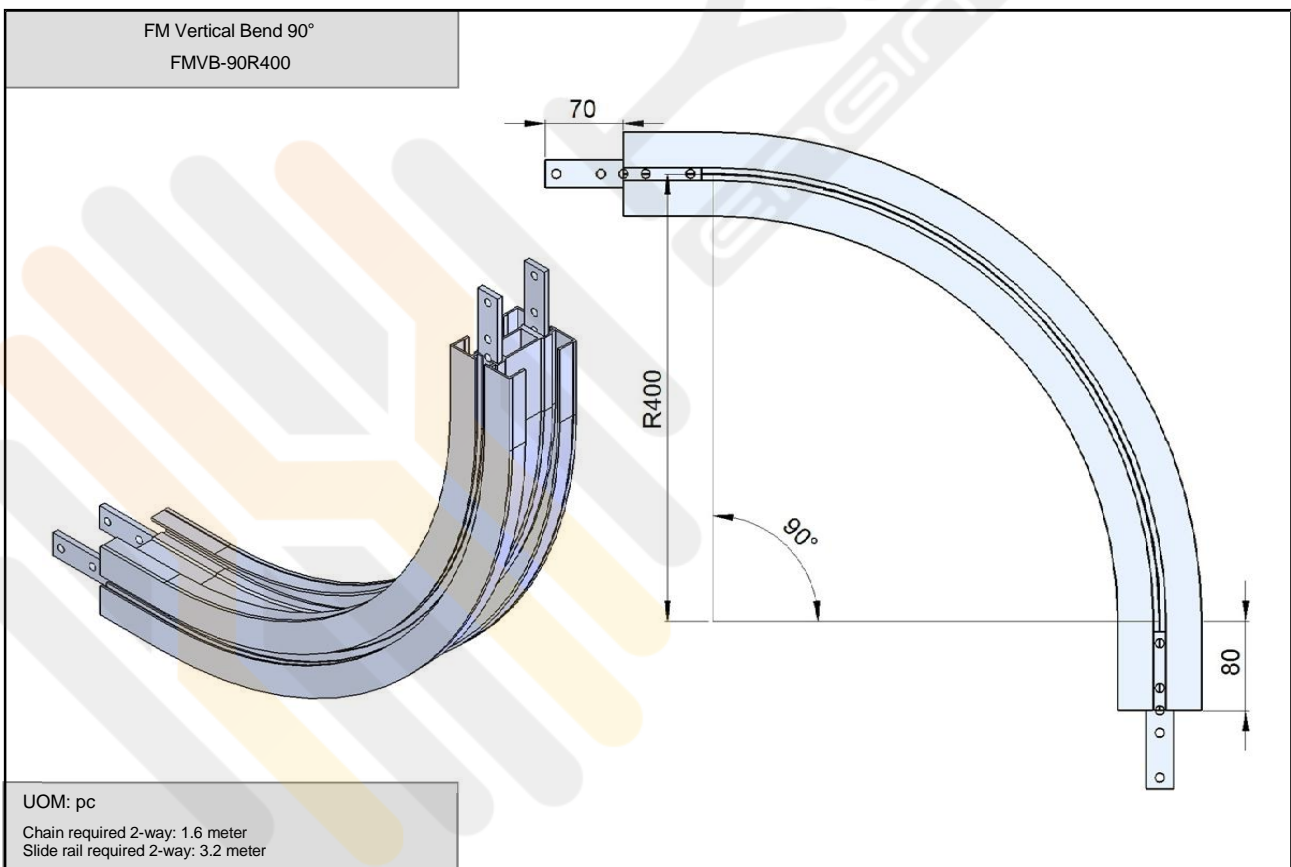
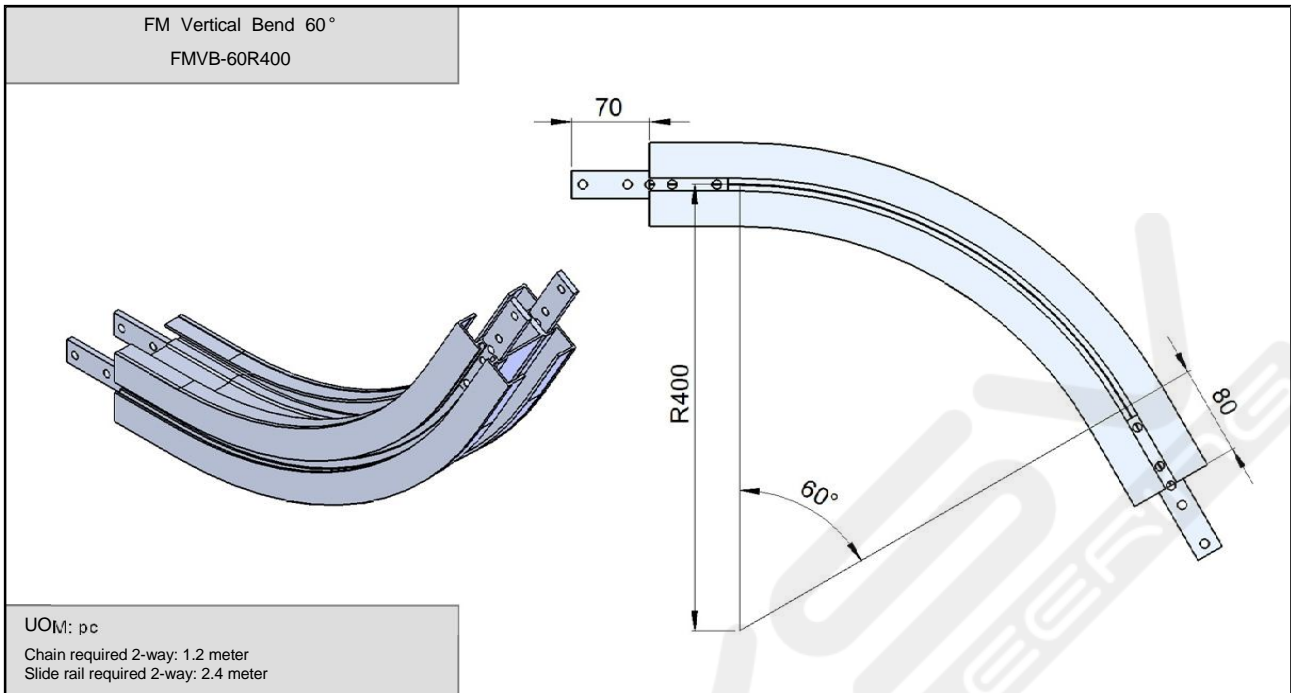



UOM: pc
Chain required 2-way: 0.8 meter
Slide rail required 2-way: 1.5 meter

FM Vertical Bend 45°
FMVB-45R400

UOM: pc
Chain required 2-way: 1.0 meter
Slide rail required 2-way: 1.9 meter



FM Vertical Bend 5° - 90°

Example for FM Vertical Bend Ordering

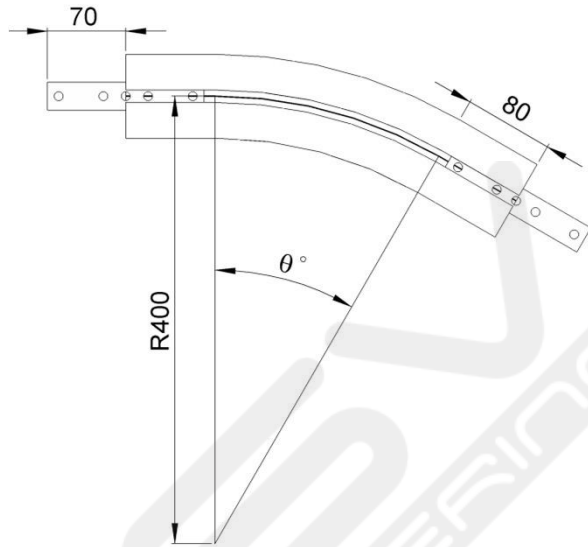
Vertical bend, $\pm 1^\circ$

FMVB- °R400

If an angle of 65° is needed for vertical bend, so the ordering part number is

FMVB-65R400

The outer bend is assembled using connecting strip (FACS-25x140A) . Angle of " °" must be indicated when ordering.



FM